

CONSTRUCTION DETAILS

- Connector Body:** Brass
- Plating:** Nickel
- Contact:** Gold
- Plating:** 10M"
- Insulator:** Delrin
- Gasket Seal:** Rubber
- Coupling Types:** Push-on
- Termination Type:** Compression

ELECTRICAL DETAILS

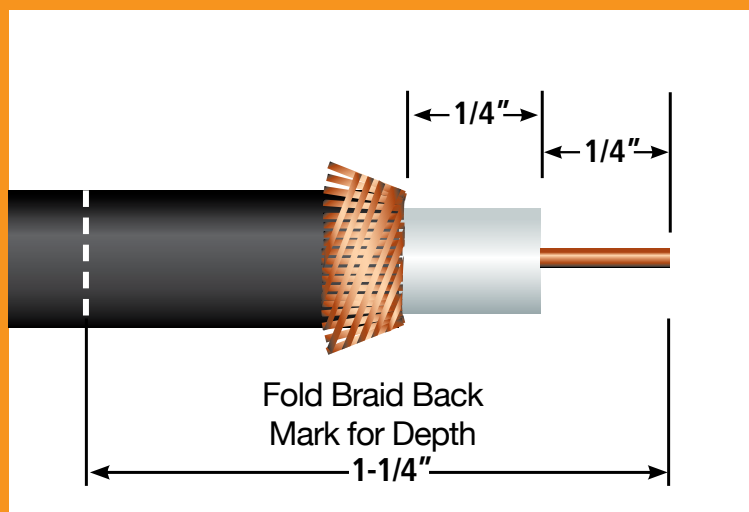
- Frequency:** 0 to 100 MHz
- Impedance:** 75 ohm
- VSWR Max:** 2:1
- Insertion Loss:** 2db
- MAX Voltage:** 1000VDC
- Temperature Range:** -60°C to 80°C

MECHANICAL/ENVIRONMENTAL

- Coupling Retention:** 10 LBS
- Cable Retention:** 40 LBS
- Resistance:** N/A

PART NO.	COND	STRIP TOOL	TERM TOOL
RTC2D	RCA Male Compression RG 59	ATL-6-11	ATL8808

Strip Dimensions:



The information contained on this specification is intended to be used as a guide and every effort has been made to ensure its accuracy at time of publication. This specification is subject to change anytime without notice. Please refer to www.adcable.com for the most up to date information. Rev 0419